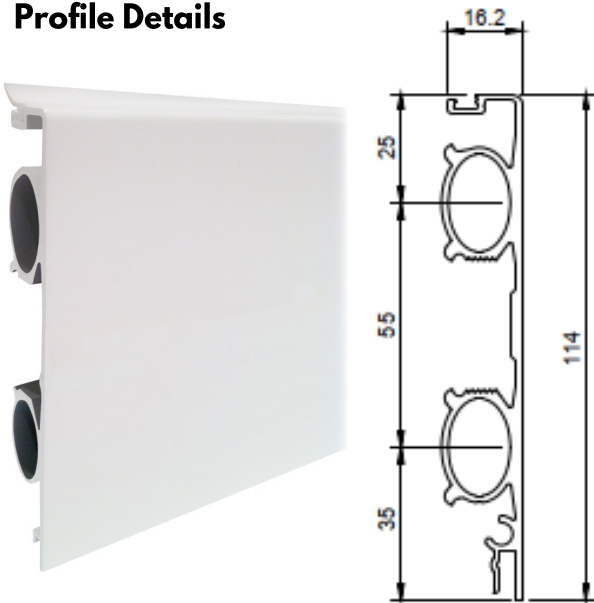
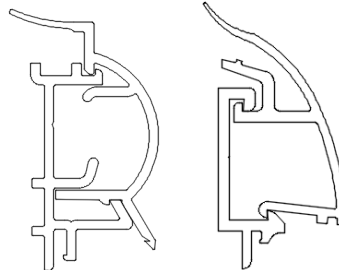


Technical Data Sheet

Profile Details



Optional Profile Capping



Approvals & Warranty

CE Marked to BS EN 442-1
 BSRIA
 TUV (Germany)
 KTH
 10 Year Warrantee

Thermal Performance

The listed temperatures are mean water temperature at the skirting, with the calculated outputs factored on the BSRIA Test 51397-1.

Flow rate is assumed to be 56-80g/m/s

Outputs are per linear metre

Temperature (°C)	Heat Output (W/m)
30–35	35–40
40–45	55–59
50–55	66–80
60–65	96–105
70–75	120–130

Skirting Specification

Material:	Aluminium Polymer Alloy	Colour(s):	Cricket White (RAL 9010)
Finish:	Double Epoxy Power Coat		Vintage Ivory (RAL 1013)
Length:	Up to 6000mm		CUSTOM OPTIONS
Connector(s):	Oval – 10mm	Weight:	1.36kg/m
	Oval – 15mm	Water Capacity:	0.48kg/m
	TRV/Lockshield Kit –15mm	Pressure Drop:	0.0016 bar @ 0.055 kg/s/m
Max Length:	20 - 25m (per 15/16mm feed)	Operating Pressure:	Typically 1.5-3 bar
Mounting Method:	Bracket Provided- 1 per meter	Testing Pressure:	Typically 10 bar

Warning: ThermaSkirt is an aluminium based radiant heating system. Aluminium is susceptible to corrosion when filled with water that is not suitably treated or has a high or low pH value. The system must be pressure tested with air, or temporarily with water and drained. Central heating systems should never be left filled with untested or untreated water for extended periods of time. pH levels need to be maintained between 6.8 & 8.3. Base exchanged softened water should not be used. Failure to provide suitably treated and/or pH stabilised water will invalidate the terms of our warranty. Please see BS 7593 (Treatment of water in central heating systems) or EN 14336 or VDI 2035.