



ThermaSkirt™

The Skirting Board that *Heats* Your Home

These instructions are intended as a guide only. Your installation & design may vary - if in doubt ask for help.

DiscreteHeat Co. Ltd. accept no liability for any errors or omissions.

If you have any tips or suggestions e-mail them to: toptips@discreteheat.co.uk

Your ThermaSkirt system must be cleansed and protected by a corrosion inhibitor suitable for aluminium radiators, as required by BS 7593:2006 'Code of Practice for treatment of water in domestic hot central heating systems'. DiscreteHeat recommends our own TS3 Cleanser and TS5 Inhibitor or Scalemaster CM5 or CM10. FAILURE TO PROTECT YOUR SYSTEM WILL INVALIDATE YOUR WARRANTY

TOOLS YOU WILL NEED:

A suitable metal cutting saw, preferably a chop saw (only if cutting lengths on site) / A DiscreteHeat rotary de-burring tool / An accurate quality tape measure (Black & Decker, DeWalt etc.) / String line and chalk or laser level / A Stanley/sharp knife and/or plasterboard saw / Power drill with hammer action / Power driver / Size 10 screws (50-100mm) / Plastic or timber faced mallet / Rawlplugs and/or plasterboard fixings / Pipe cutting tool (15mm/16mm) / Various push fit connectors / Your plan and cutting list (if purchased as a room kit).

THE SAME DIMENSIONS AND SPACINGS APPLY TO ANTI-CLOCKWISE INSTALLATIONS.

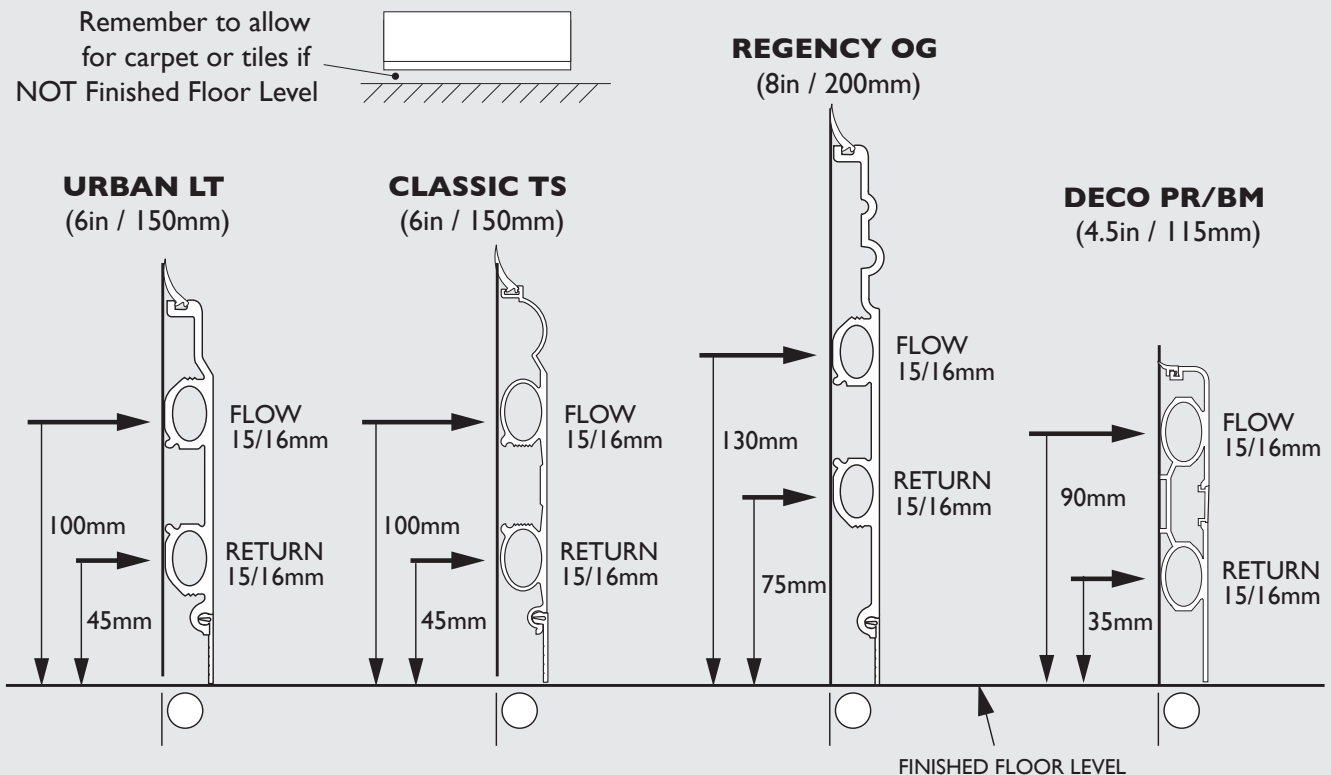
ALL EXAMPLES SHOWN ARE CLOCKWISE/RH INSTALLATIONS. ↻

DO'S AND DON'TS:

- DO** Carefully check you have all the parts required by your design systems before you start cutting.
- DO** Check all skirting measurements twice before cutting: see diagram on page 2 (unless provided pre-cut).
- DO** Ensure that you use the templates (pages 9 - 12) to get your pipes correctly positioned.
- DON'T** Forget to check the orientation and quantity of retaining clips for each connection and fitting before you insert into skirting - it varies!
- DON'T** Forget that the FEED and RETURN pipes need to be tight to the wall to ensure your covers fit correctly.
- DON'T** Forget that aluminium expands (by about 1mm per metre), so make sure the ends of the skirting are not hard up against any fixed features.

1. POSITION FEED PIPES

Remember to allow for carpet or tiles if NOT Finished Floor Level



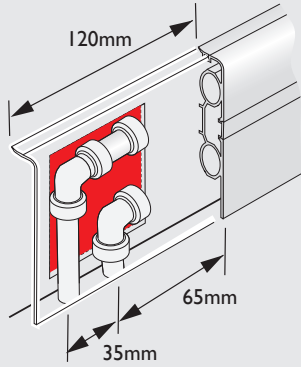


1. POSITION FEED PIPES (continued)

PIPE CONNECTORS NEED TO BE SET INTO THE WALL

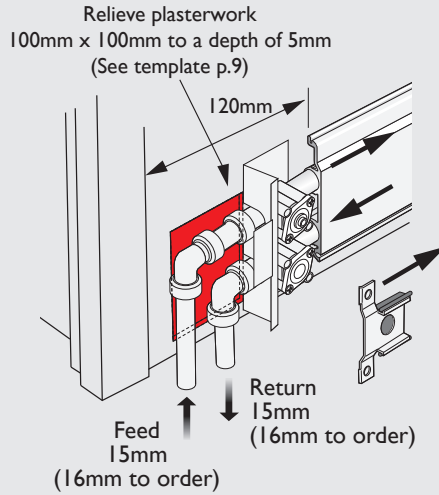


CLOCKWISE SHOWN

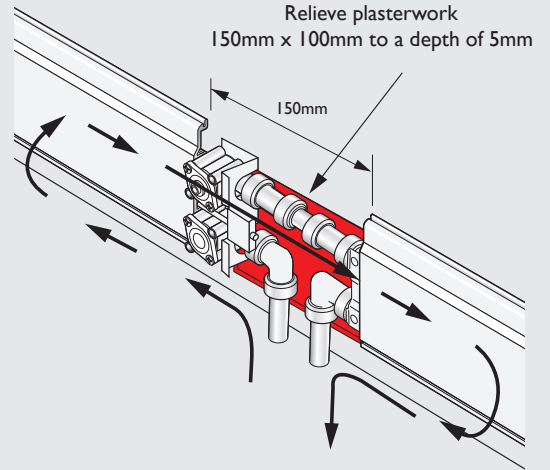


Feed and Return pipes tight to wall
Relieve plaster for fittings.

SINGLE TRV

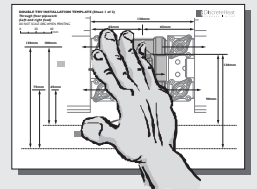


BI-DIRECTIONAL TRV

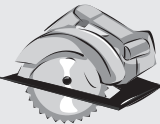


See pages 9-12 for pipe templates

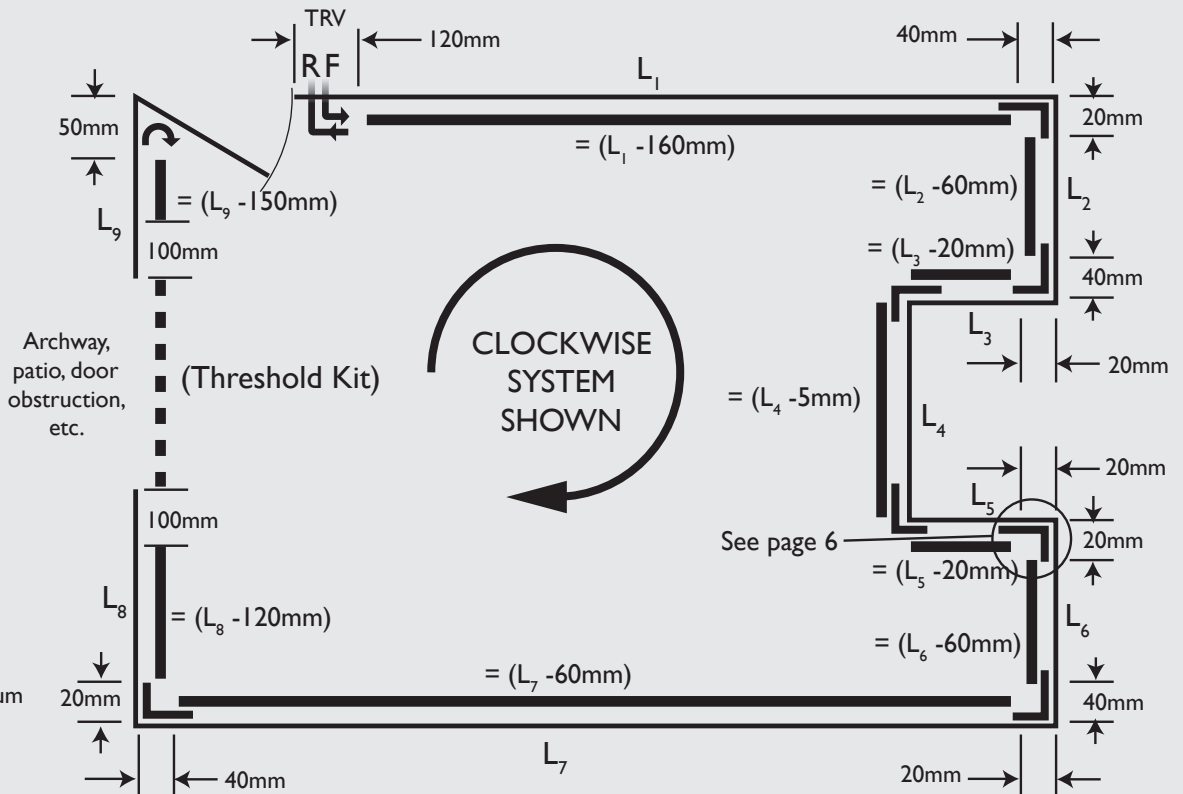
FOR ALL TEMPLATES VISIT www.discreteheat.co.uk/technical.html



2. CUTTING SKIRTING TO LENGTH (when not supplied pre-cut)



24 TPI minimum





2. CUTTING SKIRTING TO LENGTH (when not supplied pre-cut)

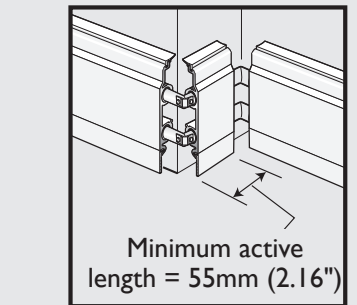
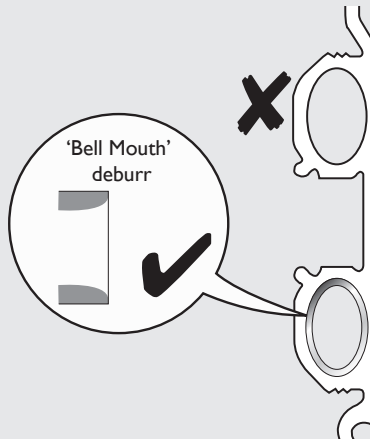
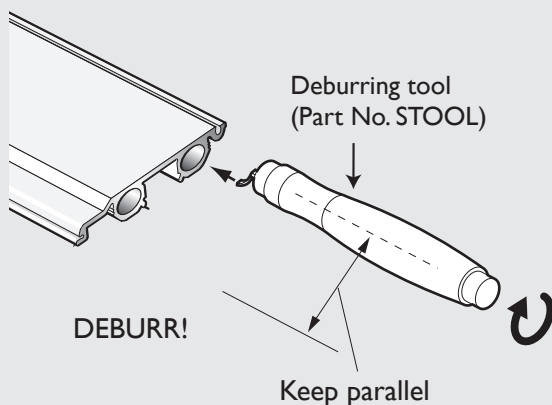
COMMON CUTTING ALLOWANCES (note number and configuration of clips)

TRV Feed/return	Internal corner (Only 20mm end requires a clip)	External corner	Return manifold	Non TRV feed & return / threshold kit

<p>Offer the flexible coupling up centrally to the internal corner and mark the wall at this point to give the cut length of skirting</p> <p>Push into corner</p>	<p>Avoid chafeing on the corner</p> <p>Offer flexible coupling up centrally to the external corner and mark the wall at this point to give the cut length of skirting</p>		
Odd angle - internal	Odd angle - external	In-line joint (> 6m walls)	Door architrave kit

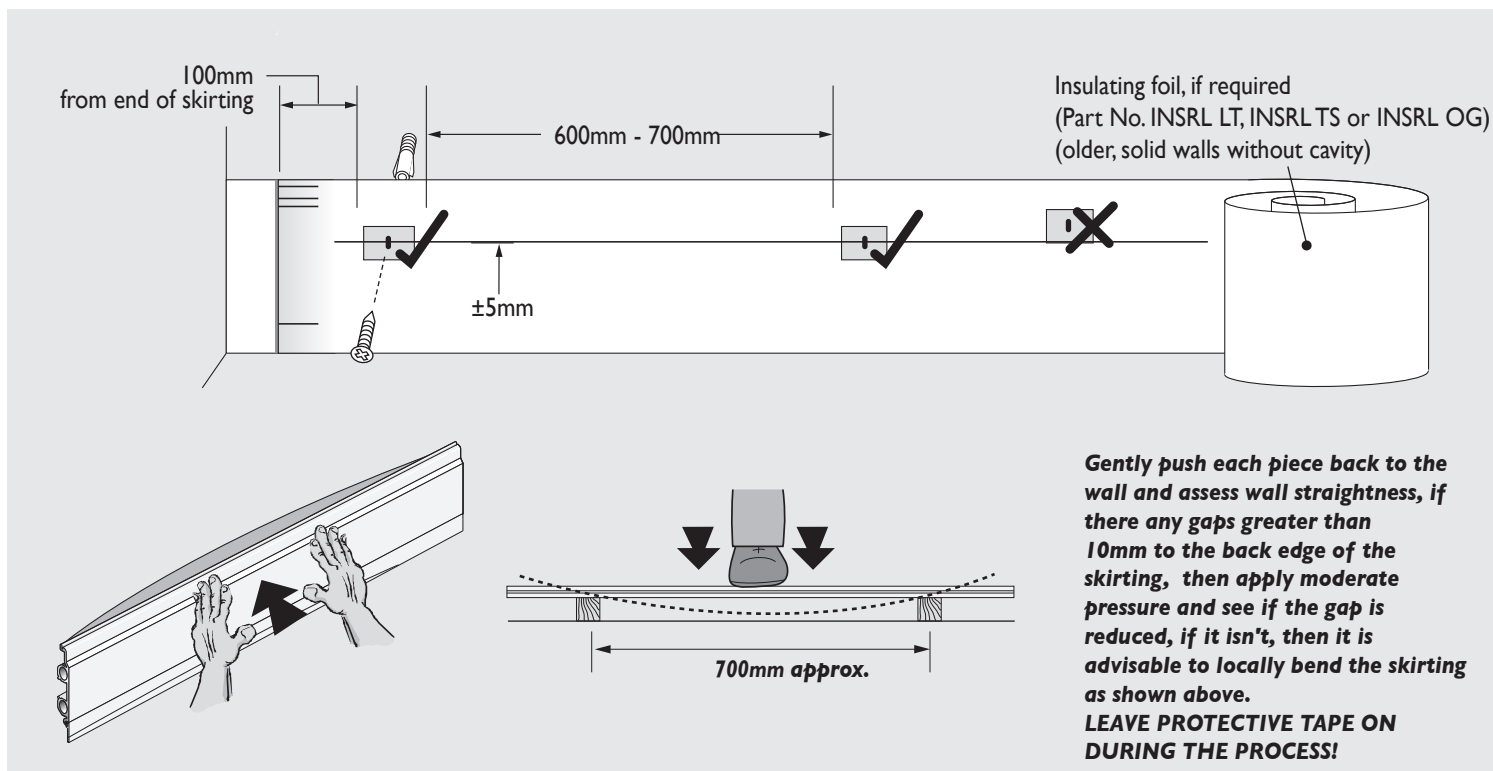
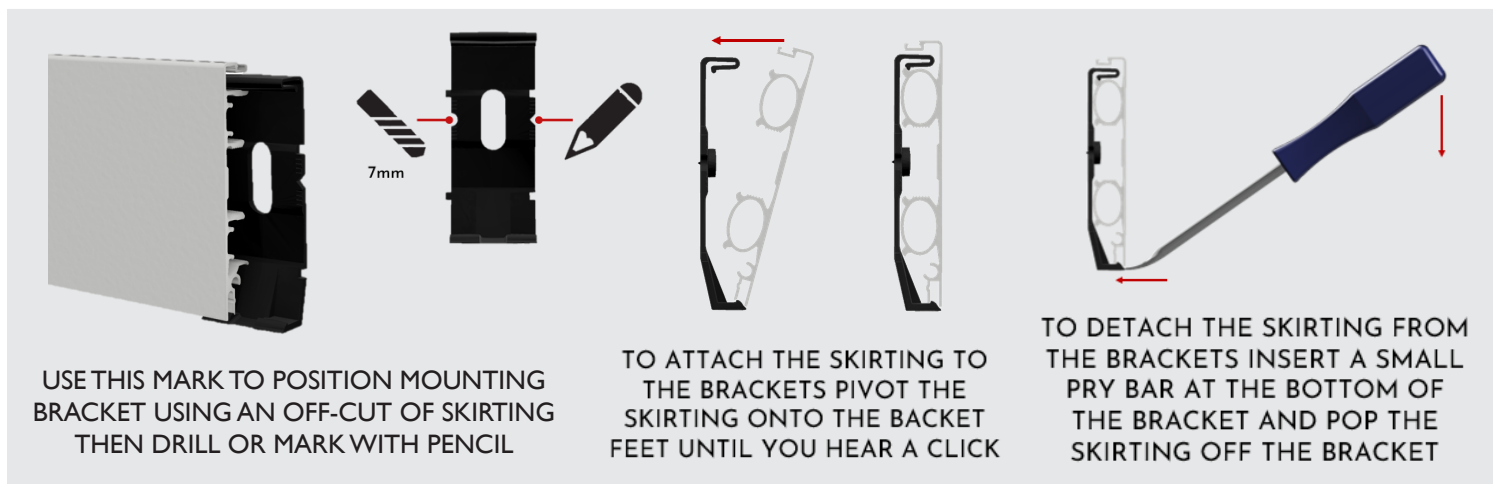
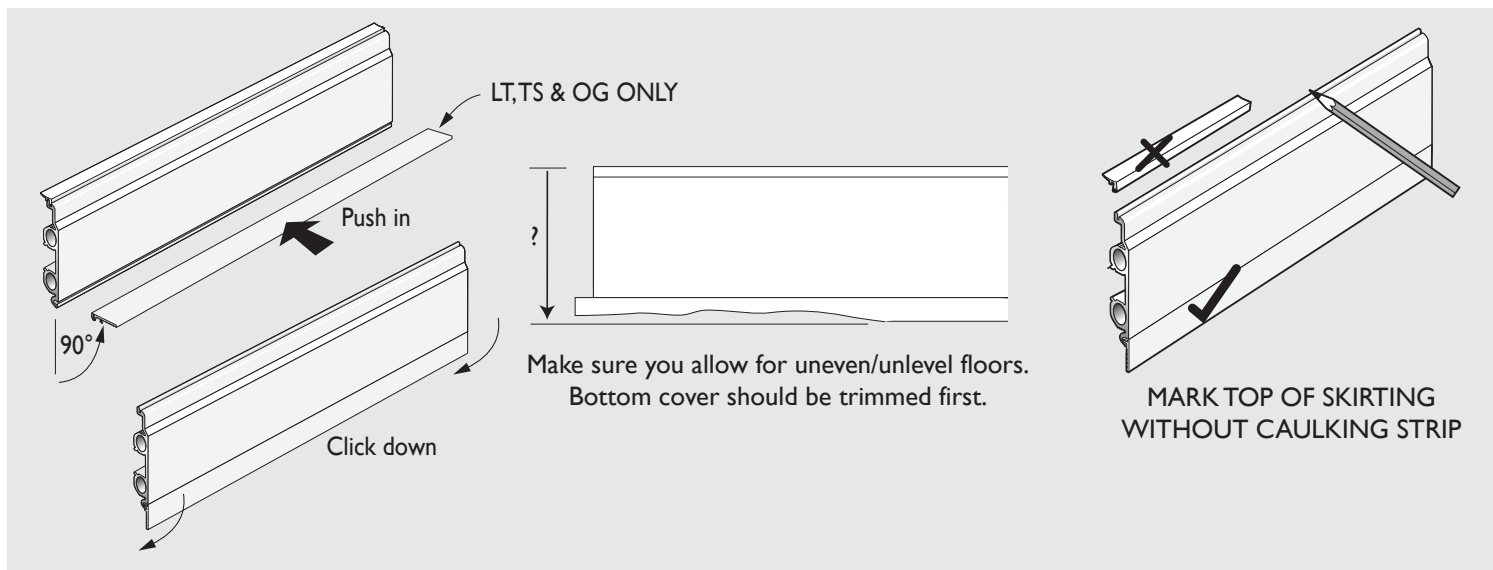
IMPORTANT: All cut ends **MUST** be deburred to preserve your warranty. Remove all chaff and debris to preserve your warranty. Problems may occur if not properly removed.

IMPORTANT - ALL CUT ENDS MUST BE DEBURRED AS SHOWN BELOW





3. MOUNTING BRACKETS - LT, TS & BM AND OG PROFILE ONLY





3. MOUNTING - DECO PR

WALL MOUNTED
Insulation foil (recommended)
- improves insulation and prevents noise

7mm Ø
60 - 1000mm
apart

FLOOR MOUNTED

Cut-away black plastic guide to allow the other centre-clip covers to fit in the slot

ALL OTHER INFORMATION FOR SPACING, BENDING, ETC. IS AS OTHER PROFILES

4. INSTALLATION SEQUENCE

START WITH TRV AT FEED AND RETURN PIPE END

'O' RINGS MUST BE GREASED!

CLOCKWISE INSTALLATION SHOWN

View on back of TRV showing fixings

DO NOT OVERTIGHTEN!

Feed

Return

ENSURE PIPES ARE VERTICAL AND SQUARE TO THE SKIRTING!

CONTINUE ROUND THE ROOM REFERRING TO CORRECT CLIP SEQUENCE ON PAGE 3.

'O' RINGS MUST BE GREASED!

'O' RINGS MUST BE GREASED!

Internal Corner

External Corner

40mm

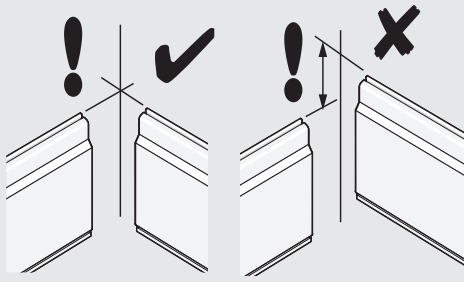
20mm

Check corners not rubbing

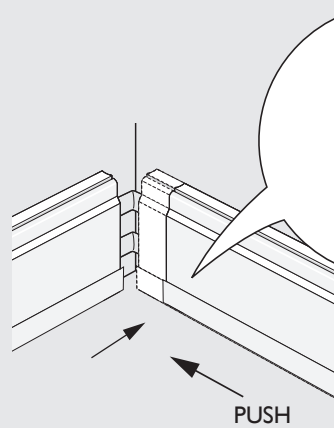
GREASE SUPPLIED MUST BE USED ON ALL CONNECTORS TO AVOID DAMAGE ON ASSEMBLY AND PRESERVE YOUR WARRANTY



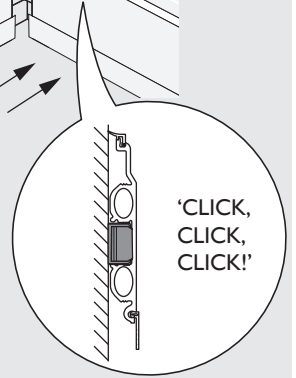
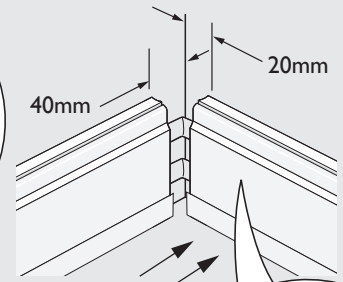
4. INSTALLATION SEQUENCE (continued)



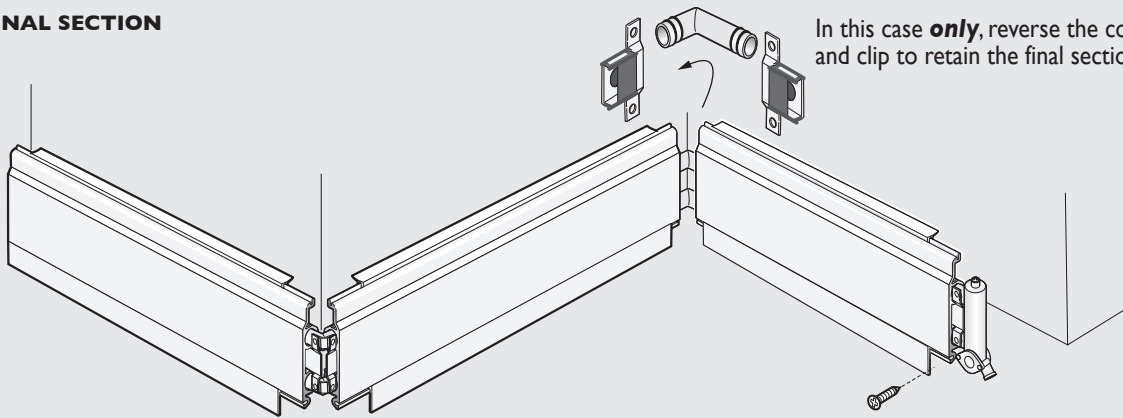
ENSURE BOTH SIDES ARE LEVEL WITH EACH OTHER



PUSH



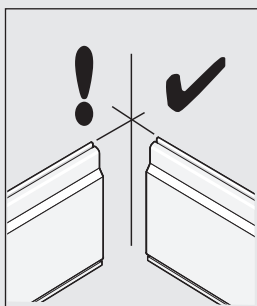
FITTING FINAL SECTION



In this case **only**, reverse the connector and clip to retain the final section

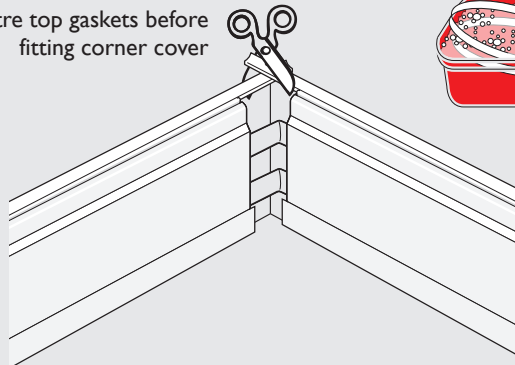
CHECK THAT THE FINAL PIECE CANNOT COME OFF UNDER PRESSURE
If a return manifold follows an external to internal corner, double clips must be used.

5. CORNERS AND COVERS



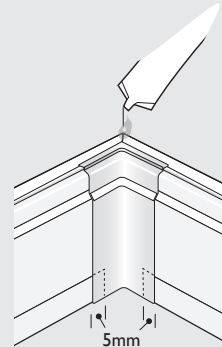
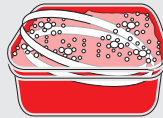
ENSURE BOTH SIDES ARE LEVEL WITH EACH OTHER

Mitre top gaskets before fitting corner cover

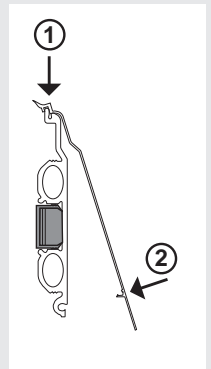


See separate instructions provided with Regency OG & Deco PR

TOPTIP:
Soak top gasket in warm soapy water for easy fitting



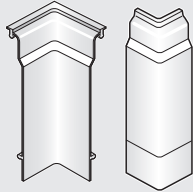
Add a touch of super glue onto mitre before fitting the corner cover





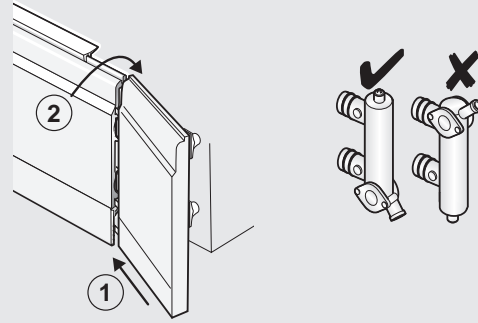
5. CORNERS AND COVERS (continued)

NEW SLIM INTERNAL AND EXTERNAL CORNERS ARE NOW AVAILABLE FOR THE URBAN LT



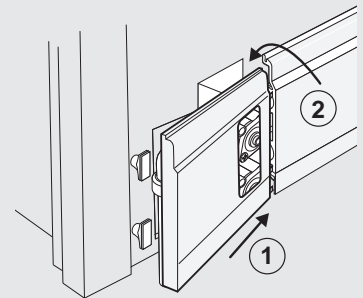
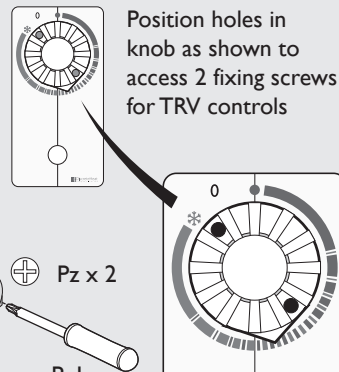
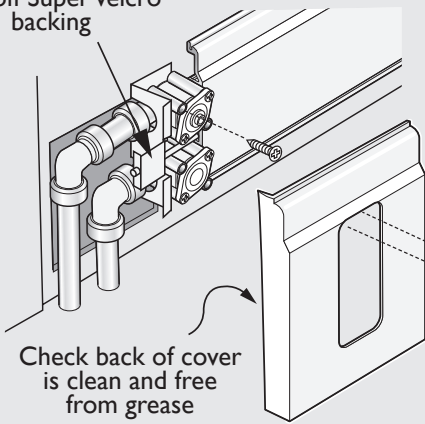
See separate instructions supplied

Clip return manifold cover top and bottom



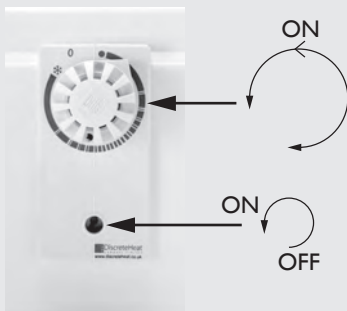
RETURN MANIFOLD COVER FIXING (LT & TS)

Peel off Super Velcro backing



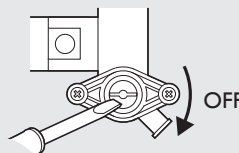
TRV COVER FIXING (LT & TS)

6. FINAL CHECKS



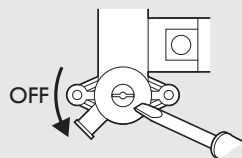
TRV Unit

Clockwise Installation
Use correct size screwdriver 1/4" (6.5mm) to avoid damage

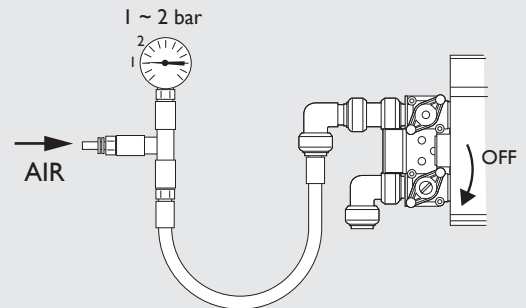


Anti-clockwise Installation

Use correct size screwdriver 1/4" (6.5mm) to avoid damage



Return Manifold



A pressure test of the system before connecting to the central heating system is recommended. (See part no. TTEST)

7. TECHNICAL SPECIFICATION

Material	Output (per M @ dT50°C) BTU / W	Feed & Return Pipe	Weight Kg per m	Capacity Litres per m	Corrosion Resistance	Min. Flow Rate	Surface Finish	Complies with	Recommended Max. Operating Temp.
Unique Polymer & Aluminium Alloy	TS/LT > 500BTU / 150W OG > 700BTU / 210W PR > 450BTU / 135W	15mm 16mm to order	1.4kg LT 1.7kg OG 1.2kg PR	0.5 l/m	Excellent See Section 8 'Running your system'	10 c.c. per sec 0.6 litre/min	Epoxy Powder to BS-EN 12206-1	BS-EN 442	≤75°C



8. RUNNING YOUR SYSTEM

Run the system at fully open, maximum temperature for 1 hour, to expel any air in the system. Release any air that may be trapped at appropriate radiator bleed points and return manifold bleed point. Turn off TRV/flow manifold and allow to cool. Set to desired room setting and run normally. **NOTE:** DiscreteHeat recommend flushing the system with ThermaSkirt Cleanser TS3 or alternatively Scalemaster SM3 (check dosage carefully) and running with ThermaSkirt corrosion inhibitor TS5 or alternatively Scalemaster SM5 or SM10 (check dosage carefully) to ensure maximum longevity and reliability. Hard water areas may require additional precautions. Chemically softened water must NOT be used. This is a standard precaution for ALL wet heating systems and a requirement of BS 7593:2006. Contact DiscreteHeat for specific application advice.

Failure to provide a suitable corrosion inhibitor will invalidate your warranty!

9. TROUBLE SHOOTING

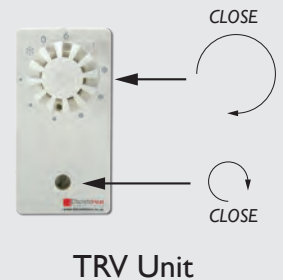
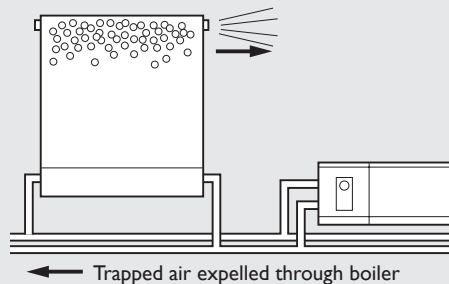
PROBLEM	CAUSE	SOLUTION
Leak at joint.	Faulty / incorrect installation.	Drain and replace fitting or 'O' ring from spares kit.
Leak on ThermaSkirt pipes.	No inhibitor fitted. Corrosion chemical/cleaner left in system	Drain down, cleanse with TS3 and install inhibitor TS5. Drain down, replace piece, cleanse with TS3 and refill.
ThermaSkirt not hot.	Check boiler. Lockshield valve closed. TRV valve closed / off. Air trapped in pipework.	Is heating 'ON' and pressure OK? Open Lockshield valve (↻). Open TRV valve (↻). See 10 below.
Water from return manifold	Manifold not closed fully.	Turn to 'OFF' position.
Noise - ticks & clicks when heat on	Connectors & fittings rubbing on wall.	Relieve plasterwork at Feed & Return and/or corner fittings.
Sudden 'bangs'	ThermaSkirt length(s) cut too long, expanding and jumping off the bracket. Internal corners clipped both sides.	Check lengths & refit if necessary. Check & remove/unclip unnecessary clip.

10. BLEEDING YOUR SYSTEM

As ThermaSkirt® acts like a pipe, in normal operation air does not get trapped. However, on existing systems, to which ThermaSkirt® is added, air may get trapped in the existing pipework to and from the skirting. Follow these simple steps if you discover cold sections of the ThermaSkirt® which do not heat up.

1. System with ThermaSkirt® & Conventional Radiators.

Turn off all radiators and ThermaSkirt thermostatic and lockshield valves. Make sure your system is fully pressurised and the pump is set to max. Run the system for a few minutes, and, starting from the lowest point in the house, open each radiator/ThermaSkirt system, one at a time. Run for a further 2 minutes (approx), close again and move to the next ThermaSkirt or radiator, moving upwards in the house. Any air will be expelled through the boiler or trapped in a conventional radiator. Bleed the radiator as normal.



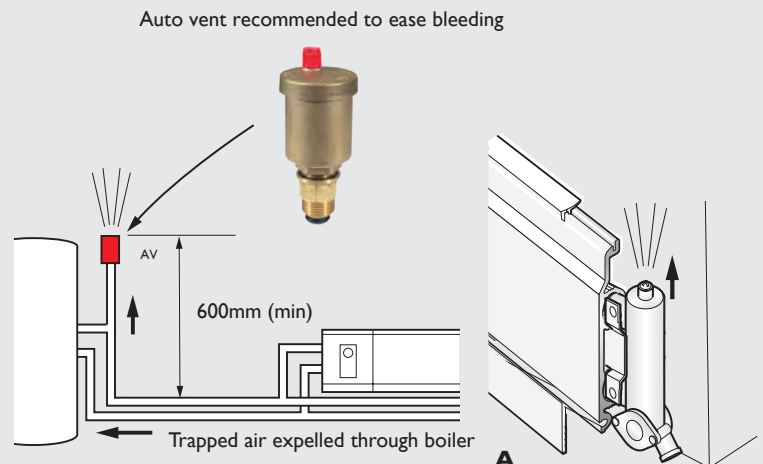
2. New Installation with ThermaSkirt® Only.

On installation, in a convenient place at the highest point of the system, 'T' off into a vertical leg 600mm high and install an automatic/manual air vent.

Following the procedure above, close and open each ThermaSkirt® system in turn.

Any air forced round the system will be expelled through the boiler or through the air vent.

Air can also be bled from the bleed screw on top of the return manifold (A).



LH END clockwise installation

Cut along dotted line



SINGLE TRV INSTALLATION TEMPLATE

(Through floor pipework)

DO NOT SCALE DWG WHEN PRINTING

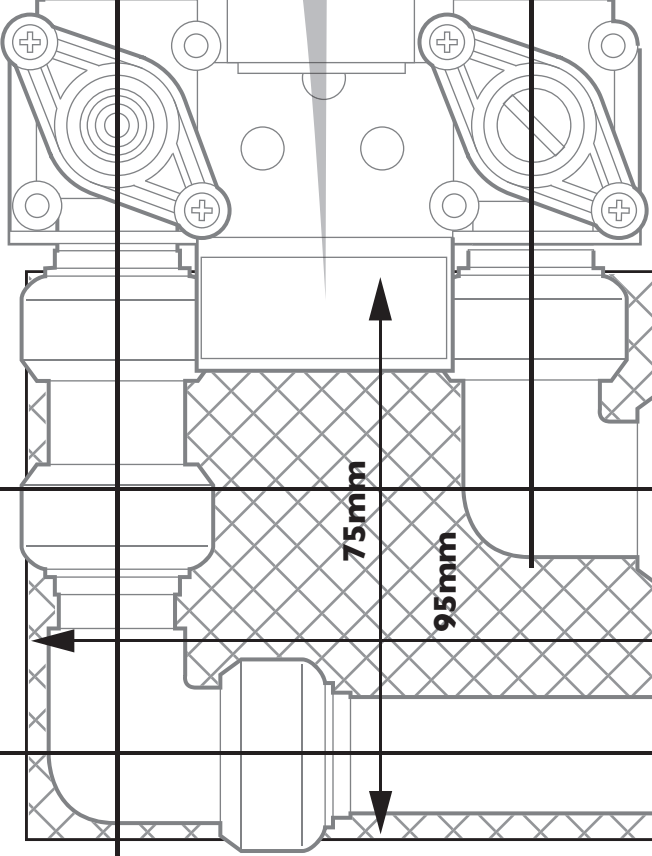


LH END

120mm

100mm

65mm



Cut/fold along here (Place on end of wall or doorway architrave)

Relieve plaster/
surface finish to a
depth of 5mm in this
hatched area to allow
for Tectite fittings



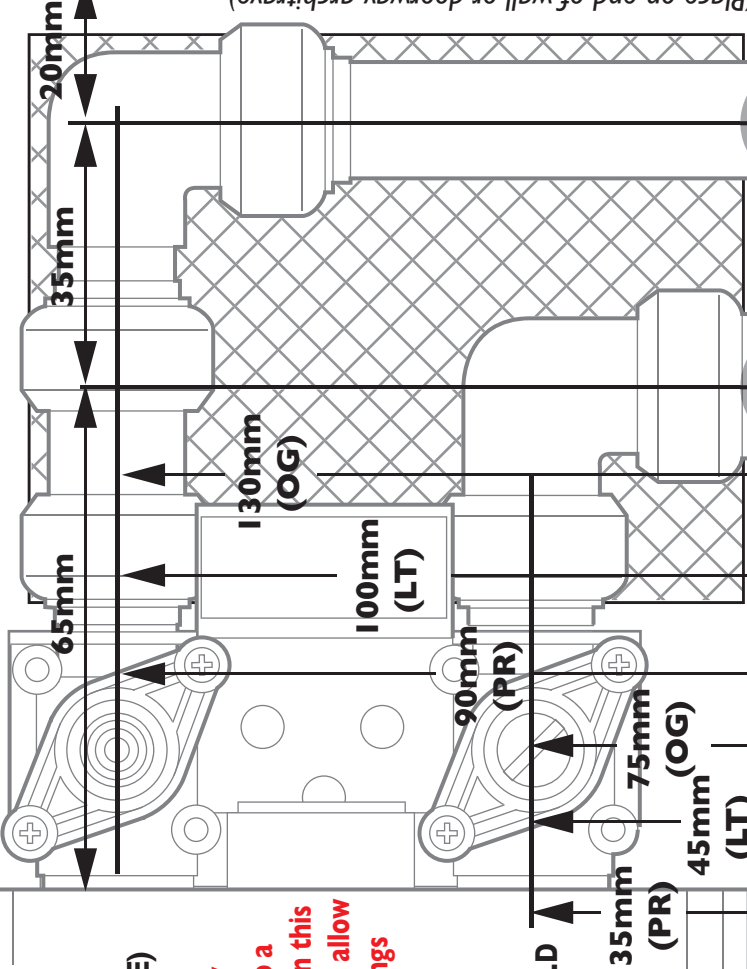
FEED
(TRV VALVE)

RETURN
(LOCKSHIELD
VALVE)



Tel: 0845 1238367 Fax: 01942 880066
e-mail: info@discreteheat.co.uk
web: www.discreteheat.co.uk

RH END anti-clockwise installation



Cut/fold along here (Place on end of wall or doorway architrave)

WALL

FINISHED FLOOR LEVEL

WALL

FINISHED FLOOR LEVEL

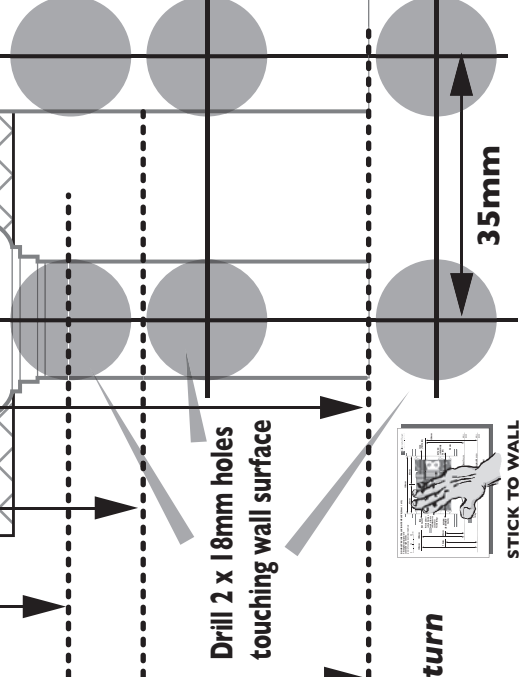
WALL

FINISHED FLOOR LEVEL

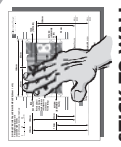
Fold along here for Deco PR template

Fold along here for Urban LT / Classic TS template

Fold along here for Regency OG template



Drill 2 x 18mm holes
touching wall surface



STICK TO WALL
TO USE

Plan view for drilling feed and return
pipe holes in floor

Drill 2 x 18mm holes
touching wall surface

35mm

35mm

LH and RH installation

NON TRV / THRESHOLD KIT PIPE INSTALLATION TEMPLATE

100mm

(Through floor pipework)

DO NOT SCALE DWG WHEN PRINTING

100mm

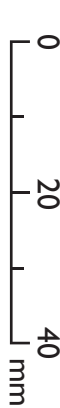
80mm

LH END

RH END

80mm

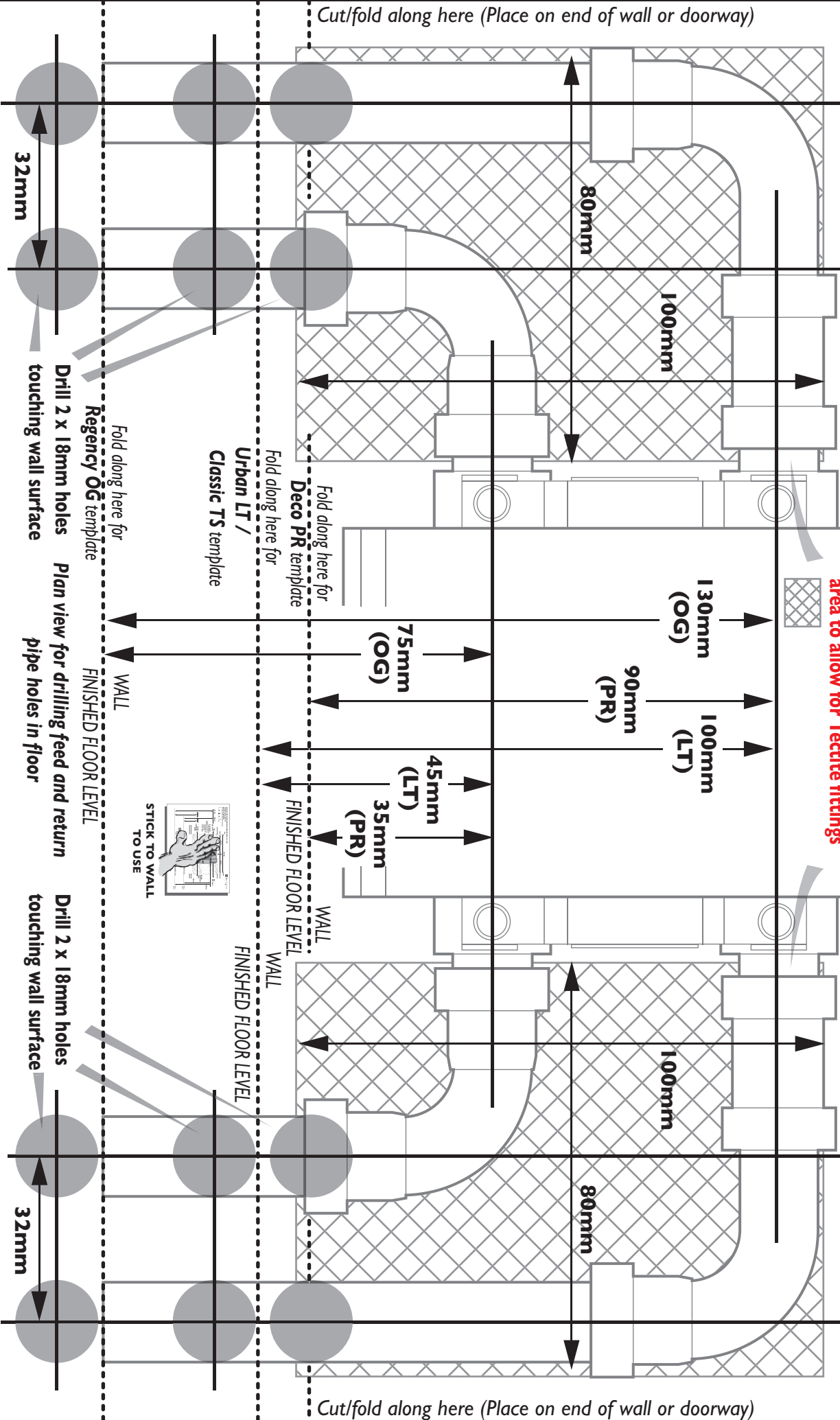
50mm



Relieve plaster/surface finish to a depth of 5mm in this hatched area to allow for Tectite fittings

Cut/fold along here (Place on end of wall or doorway)

Cut/fold along here (Place on end of wall or doorway)



Fold along here for Regency OG template

Fold along here for Urban LT / Classic TS template

Fold along here for Deco PR template

FINISHED FLOOR LEVEL

FINISHED FLOOR LEVEL

FINISHED FLOOR LEVEL

FINISHED FLOOR LEVEL

WALL

WALL

WALL

WALL

Drill 2 x 18mm holes touching wall surface

Plan view for drilling feed and return pipe holes in floor

Drill 2 x 18mm holes touching wall surface



STICK TO WALL TO USE

Tel: 0845 1238367 Fax: 01942 880066
e-mail: info@discreteheat.co.uk
web: www.discreteheat.co.uk



